

GIMMI®



Endoscopic Technology

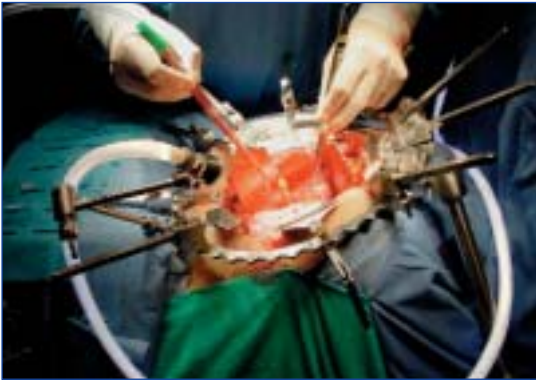
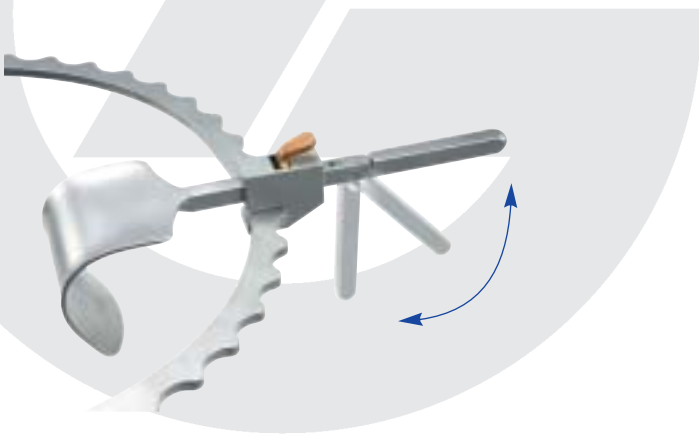
ALPHAFIX SYSTEM pat. pend.

Chirurgisches Retraktoren System
Surgical Retractor System
Sistema de retracción quirúrgica
Système d'écarteurs chirurgicaux
Sistema di divaricazione chirurgica



ALPHAFIX SYSTEM

134°C
AUTOCLAVE
2,3 bar



"SURGICAL KIT"



"VAGINAL KIT"



ALPHAFIX SYSTEM

Fixierelemente und Valvenhalterungen
Holding devices and Retractor Blade Holders
Dispositivos de soporte y dispositivos de fijación
Dispositifs de support et support pour écarteur
Dispositivi di supporto e supporti per divaricatori

134°C
AUTOCLAVE
2,3 bar



D.1100.30 Gelenkstativ
Articulated stand
Brazo multiarticulado
Support multi-articulét
Braccio multiarticolato



D.1100.32 Tischfixierung
Table fixation device
Soporte lateral
Accouplement lateral
Aggancio laterale



D.1100.52 Valvenhalterung, neigbar
Tilt Retractor Blade Holder
Dispositivo de fijación, basculante
Support pour écarteur, inclinable
Supporto per divaricatore, inclinabile



D.1100.50 Valvenhalterung
Retractor Blade Holder
Dispositivo de fijación
Support pour écarteur
Supporto per divaricatore



D.1100.90 Systemeigene Beleuchtung (GIMMI/STORZ Anschluß), ohne Linse
Integrated System Illumination (GIMMI/STORZ connection), without lens
Iluminación a luz fría (conexión GIMMI/STORZ), sin lente
Illumination propre au système (connexion GIMMI/STORZ), sans lentille
Illuminazione a luce fredda (connessione GIMMI/STORZ), senza lente

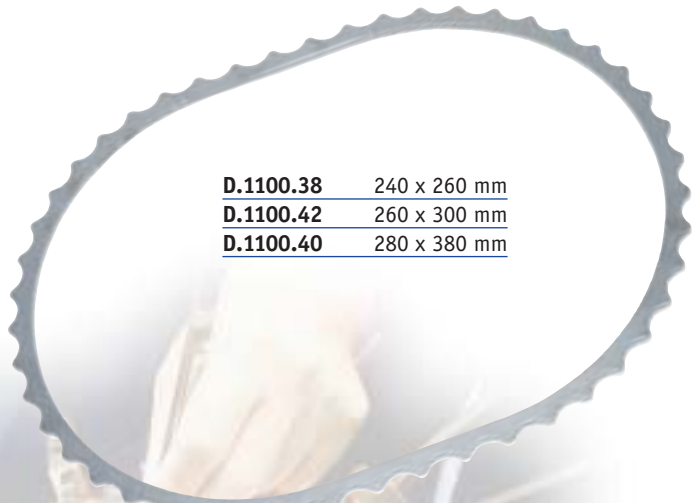
D.1100.91 Linse für Beleuchtungssystem
Lens for Illumination System
Lente para sistema de iluminación
Lentille pour système de illumination
Lente per sistema d'illuminazione

ALPHA*FIX* SYSTEM

Ringe
Rings
Anillos
Anneaux
Anelli



D.1100.34 \varnothing 100 mm
D.1100.36 \varnothing 110 mm

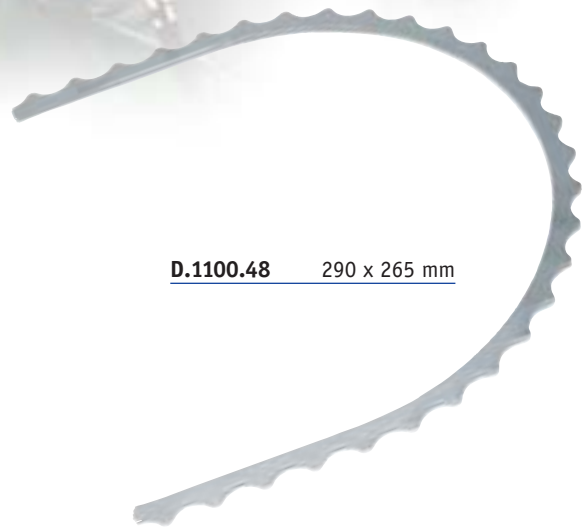


D.1100.38 240 x 260 mm
D.1100.42 260 x 300 mm
D.1100.40 280 x 380 mm



Vaginal/Vaginale

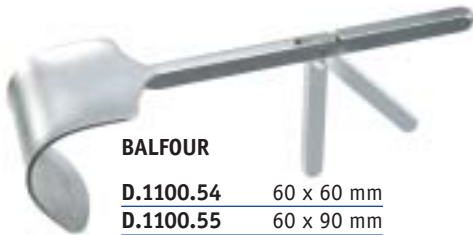
D.1100.44 200 x 270 mm
D.1100.46 169 x 226 mm



D.1100.48 290 x 265 mm

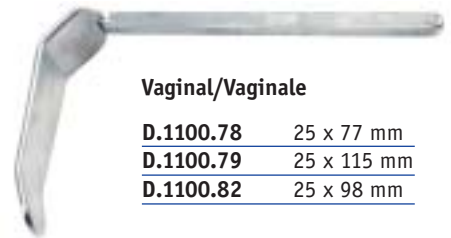
ALPHAFIX SYSTEM

Valven
Retractor Blades
Valvas
Valves
Valve



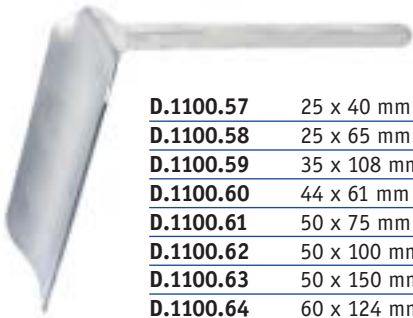
BALFOUR

D.1100.54	60 x 60 mm
D.1100.55	60 x 90 mm

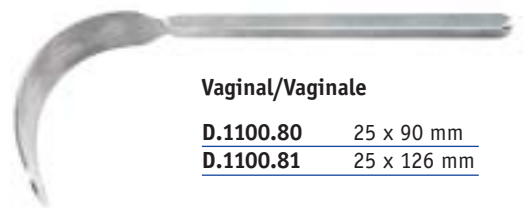


Vaginal/Vaginale

D.1100.78	25 x 77 mm
D.1100.79	25 x 115 mm
D.1100.82	25 x 98 mm

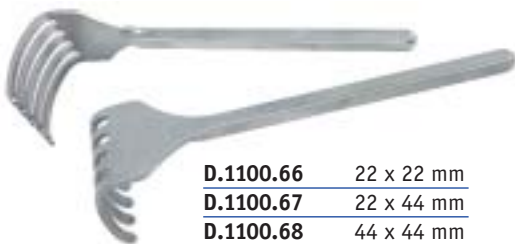


D.1100.57	25 x 40 mm
D.1100.58	25 x 65 mm
D.1100.59	35 x 108 mm
D.1100.60	44 x 61 mm
D.1100.61	50 x 75 mm
D.1100.62	50 x 100 mm
D.1100.63	50 x 150 mm
D.1100.64	60 x 124 mm



Vaginal/Vaginale

D.1100.80	25 x 90 mm
D.1100.81	25 x 126 mm



D.1100.66	22 x 22 mm
D.1100.67	22 x 44 mm
D.1100.68	44 x 44 mm
D.1100.69	44 x 53 mm



HARRINGTON
Biessam/Malleable/Maleables/
Malleables/Malleabili

D.1100.84	60 x 180 mm
D.1100.85	60 x 200 mm



Biessam/Malleable/Maleables/
Malleables/Malleabili

D.1100.71	40 x 155 mm
D.1100.72	40 x 174 mm
D.1100.73	50 x 155 mm
D.1100.74	50 x 174 mm
D.1100.75	72 x 155 mm
D.1100.76	72 x 174 mm



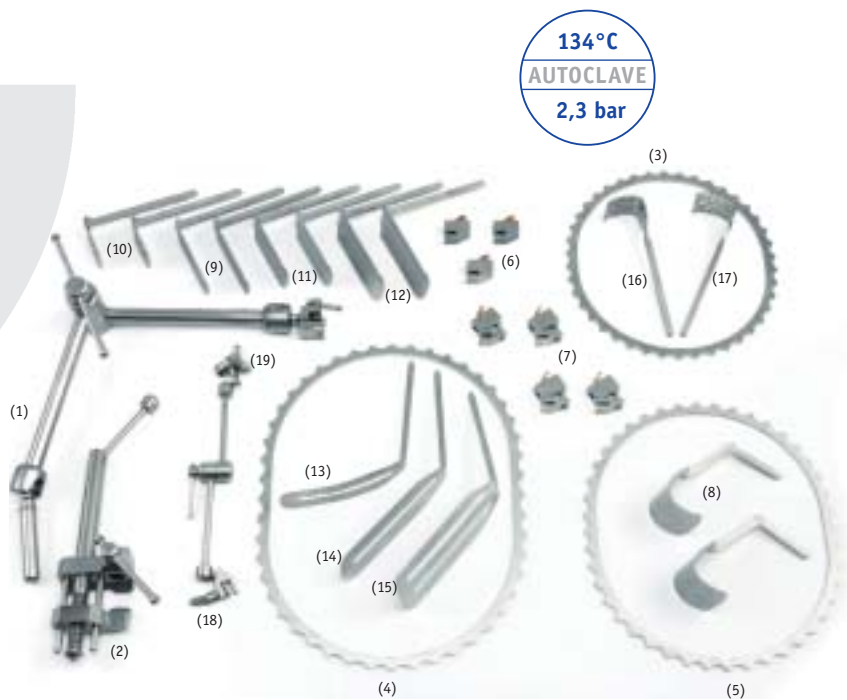
Rectal/Rettale

D.1100.87	22 x 75 mm
------------------	------------

ALPHAFIX SYSTEM

SURGICAL KIT D.1100.00

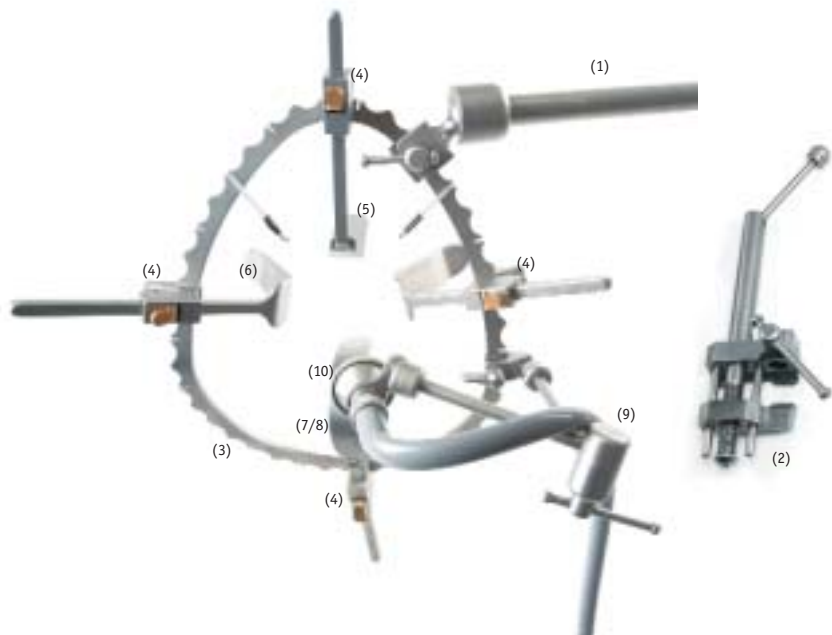
bestehend aus:	(1)	D.1100.30	1x
consisting of:	(2)	D.1100.32	1x
compuesto de:	(3)	D.1100.38	1x
composé de:	(4)	D.1100.40	1x
composto di:	(5)	D.1100.42	1x
	(6)	D.1100.50	3x
	(7)	D.1100.52	4x
	(8)	D.1100.54	2x
	(9)	D.1100.59	2x
	(10)	D.1100.60	2x
	(11)	D.1100.62	2x
	(12)	D.1100.64	2x
	(13)	D.1100.71	1x
	(14)	D.1100.74	1x
	(15)	D.1100.76	1x
	(16)	D.1100.68	1x
	(17)	D.1100.69	1x
	(18)	D.1100.90	1x
	(19)	D.1100.91	1x



VAGINAL KIT D.1100.02

bestehend aus:	(1)	D.1100.30	1x
consisting of:	(2)	D.1100.32	1x
compuesto de:	(3)	D.1100.44	1x
composé de:	(4)	D.1100.52	4x
composto di:	(5)	D.1100.78	2x
	(6)	D.1100.79	2x
	(7)	D.1100.80	1x
	(8)	D.1100.81	1x

Optional:	(9)	D.1100.90	1x
optional:	(10)	D.1100.91	1x
Opcional:			
en opción:			
Opzionale:			



GIMMI® GmbH

Endoscopic Technology

Carl-Zeiss-Straße 6

D-78532 Tuttlingen

Telefon + 49 74 61 / 96 590-0

Telefax + 49 74 61 / 96 590-33

info@gimmi.de

www.gimmi.de

www.gimmi-germany.com